

# PRODUCT DATA SHEET

## 1 POLE DISTRIBUTION BLOCKS



### DESCRIPTION

Distribution Blocks are used in electricity distribution. An electrical distribution terminal block is a convenient, economical and safe way to distribute power from a single input source to multiple outputs. Complete with main removable cover. High conductivity with excellent electrical contacts

### FEATURES

- Compact design.
- Hinged design with safety removable cover.
- Dustproof and insulation cover.
- Mounting on 35mm wide DIN rail with screws.
- Material: Plastic, Copper

### MARKINGS

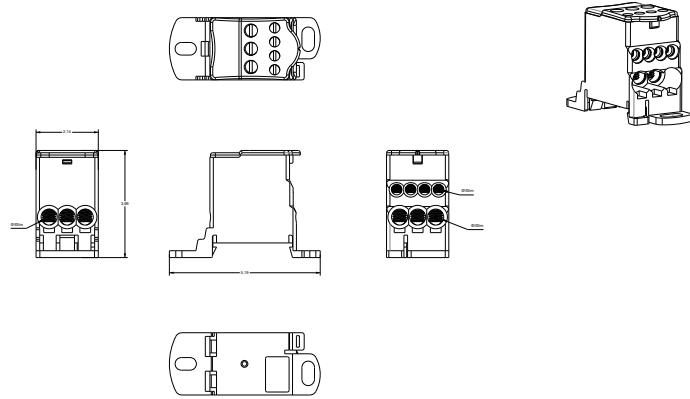


- According to CE

# PRODUCT DATA SHEET

## 1 POLE DISTRIBUTION BLOCKS

### SECTIONS AND DIMENSIONS



PRODUCT CODE	GW – 80A	
CURRENT	80 Ampere	
CABLE TYPE	SINGLE CORE	MULTI CORE
CABLE SECTION (mm <sup>2</sup> )	<b>Input</b>	<b>Output</b>
	1x10-16 mm <sup>2</sup>	4X2,5-6 mm <sup>2</sup> 2x2,5-16 mm <sup>2</sup>